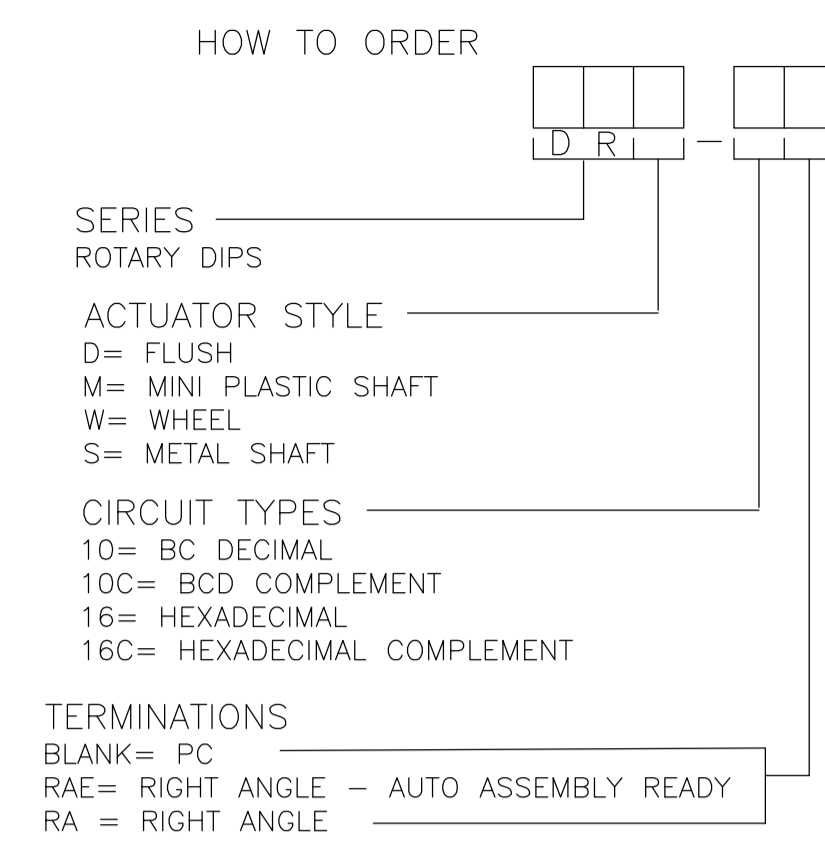


DRD RIGHT ANGLE  
PC MOUNT



**SPECIFICATIONS:**

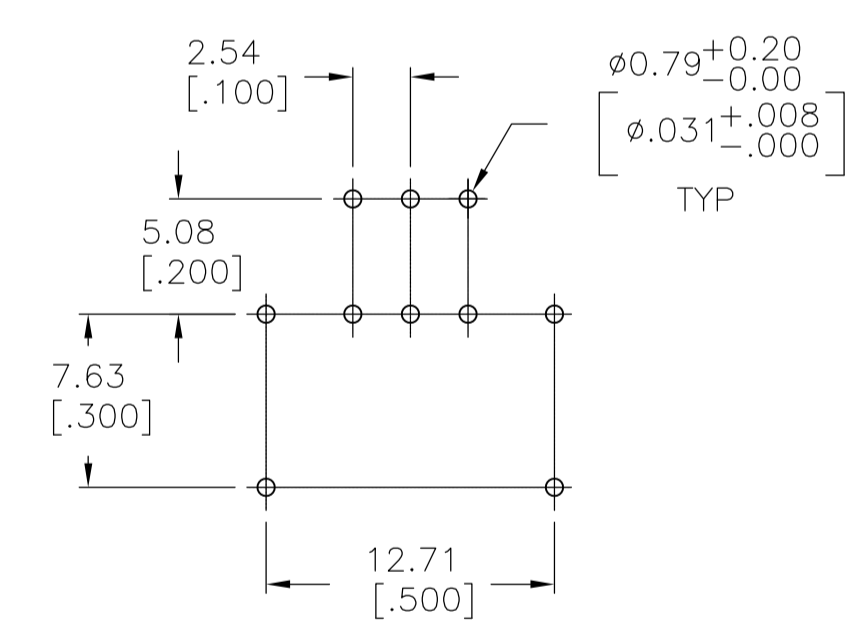
**MATERIAL:**  
 FRAME & CASE- PPS UL94V-0, BLACK  
 ROTOR, PA6T UL94V-0, COLOR SEE P/N TABLE  
 FIXED CONTACT/TERMINAL- COPPER ALLOY, GOLD FLASH OVER NICKEL PLATE  
 MOVING CONTACT- COPPER ALLOY, GOLD FLASH OVER NICKEL PLATE  
 BALL SUPPORT PLATE- COPPER ALLOY  
 BALL- STAINLESS STEEL  
 DETENT SPRING- STAINLESS STEEL  
 BUSHING (DRS)- ZINC DIE CAST  
 SHAFT (DRS)- COPPER ALLOY- NICKEL PLATE

**ELECTRICAL:**  
 CONTACT RATING- 0.4VA@ 20V DC OR PEAK AC  
 INITIAL CONTACT RESISTANCE- 50 MILLIOHMS MAX  
 INSULATION RESISTANCE- 1,000 MEGOHMS@100V DC  
 DIELECTRIC STRENGTH- 300V AC  
 LIFE EXPECTANCY- 10,000 ROTATIONS

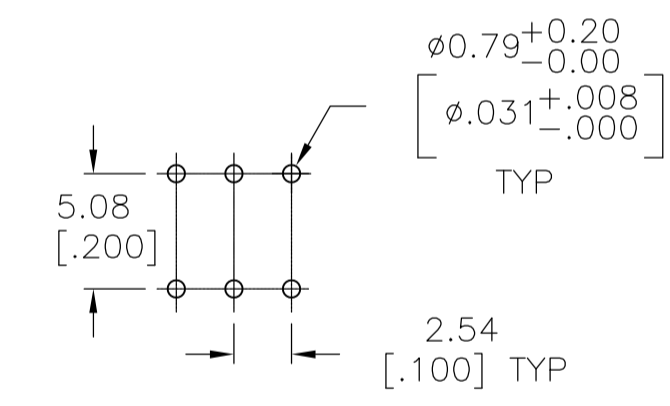
**MECHANICAL:**  
 OPERATING FORCE- 13.88 OZF.IN. MAX

**ENVIRONMENTAL:**  
 OPERATING TEMPERATURE- -30°C TO +85°C  
 STORAGE TEMPERATURE- -45°C TO +100°C  
 RESISTANCE TO SOLDER HEAT-PER 109-202, COND B (THRU-HOLE)  
 SOLDERABILITY-PER JIS C 0050 & JIS C 0053

- NOTES:**
- ALL MATERIALS AND FINISHES SHALL COMPLY WITH EU DIRECTIVE 2002/95/EC OF 27JAN2003 (ROHS)
  - COMMON TERMINALS ARE CONNECTED INTERNALLY, EXCEPT ON HYBRID VERSIONS.
  - RED ROTOR WITH WHITE PRINTING ON TOP AND SIDE OF SWITCH. "S" STYLES HAVE NOT PRINTING ON TOP.
  - BLACK ROTOR WITH WHITE PRINTING ON TOP AND SIDE OF SWITCH. "S" STYLES HAVE NO PRINTING ON TOP.
  - ORANGE ROTOR WITH WHITE PRINTING ON TOP AND SIDE OF SWITCH "S" STYLES HAVE NO PRINTING ON TOP.
  - WHITE ROTOR WITH WHITE PRINTING ON TOP AND SIDE OF SWITCH "S" STYLE HAVE NO PRINTING ON TOP.
- △ LOCATE 'ALCO' TRADE NAME AND LOT NUMBER MARKING. LOT NUMBER TO BE MARKED AS FOLLOW:
- 4 F  
1ST DIGIT 2ND DIGIT  
YEAR 1194 MONTH 6
- MARK WITH PERMANENT WHITE INK.



"S" STYLE



MINI SHAFT  
FLUSH  
WHEEL

PRINTED CIRCUIT BOARD LAYOUTS

BLACK	DRW16RAE04	1-1825008-6
WHITE	DRW16CRAE04	1-1825008-5
RED	DRW10RAE04	1-1825008-4
ORANGE	DRW10CRAE04	1-1825008-3
N/A	DRS16RA04	1-1825008-2
N/A	DRS16CRA04	1-1825008-1
N/A	DRS10RA04	1-1825008-0
N/A	DRS10CRAE04	1825008-9
BLACK	DRM16RAE04	1825008-8
WHITE	DRM16CRAE04	1825008-7
RED	DRM10RAE04	1825008-6
ORANGE	DRM10CRAE04	1825008-5
BLACK	DRD16RAE04	1825008-4
WHITE	DRD16CRAE04	1825008-3
RED	DRD10RAE04	1825008-2
ORANGE	DRD10CRAE04	1825008-1
ROTOR COLOR	T&B P/N	PART NO.

THIS DRAWING IS A CONTROLLED DOCUMENT. DIN 9139 VISVESWARA 17MAY2005

DRW: M.S. SARVER  
CHK: M.S. SARVER  
APVD: -

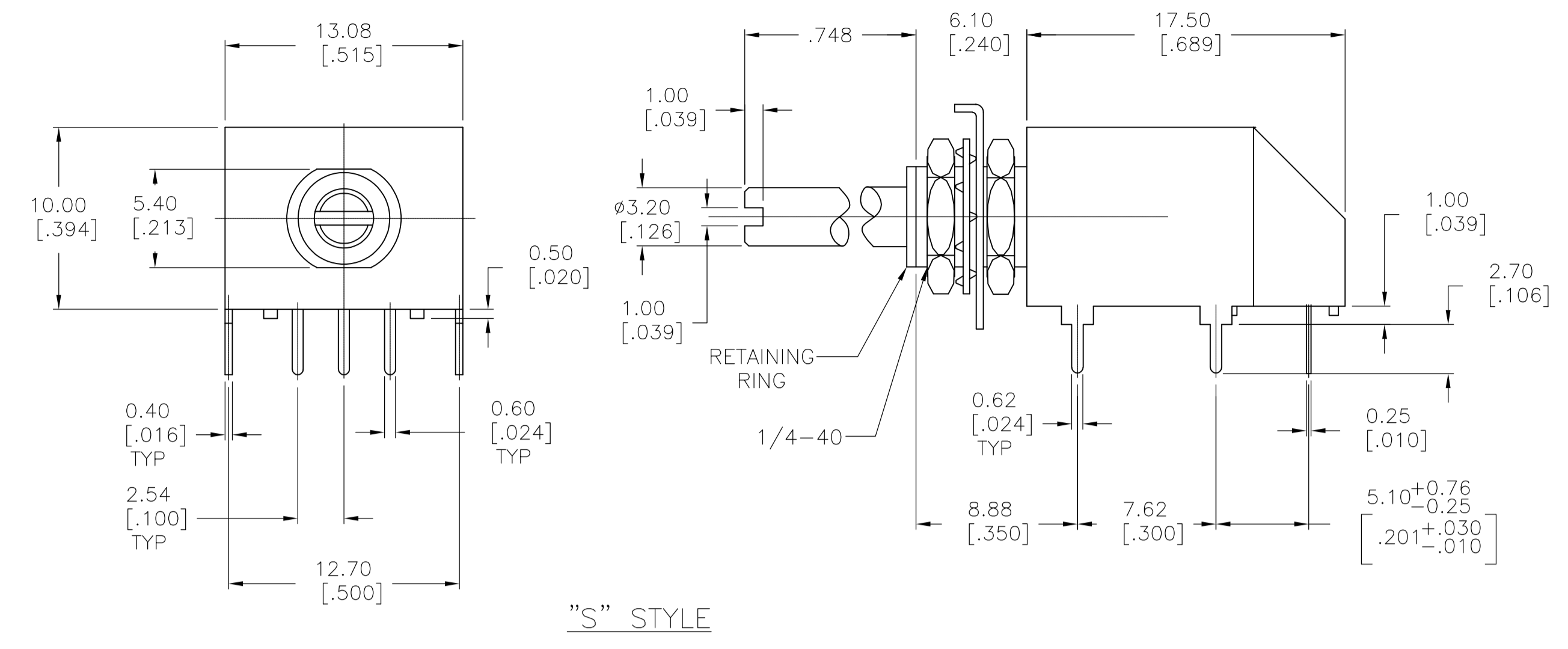
PRODUCT SPEC: -  
APPLICATION SPEC: -

SIZE: A1  
CAGE CODE: 00779  
DRAWING NO: 1825008  
RESTRICTED TO: -

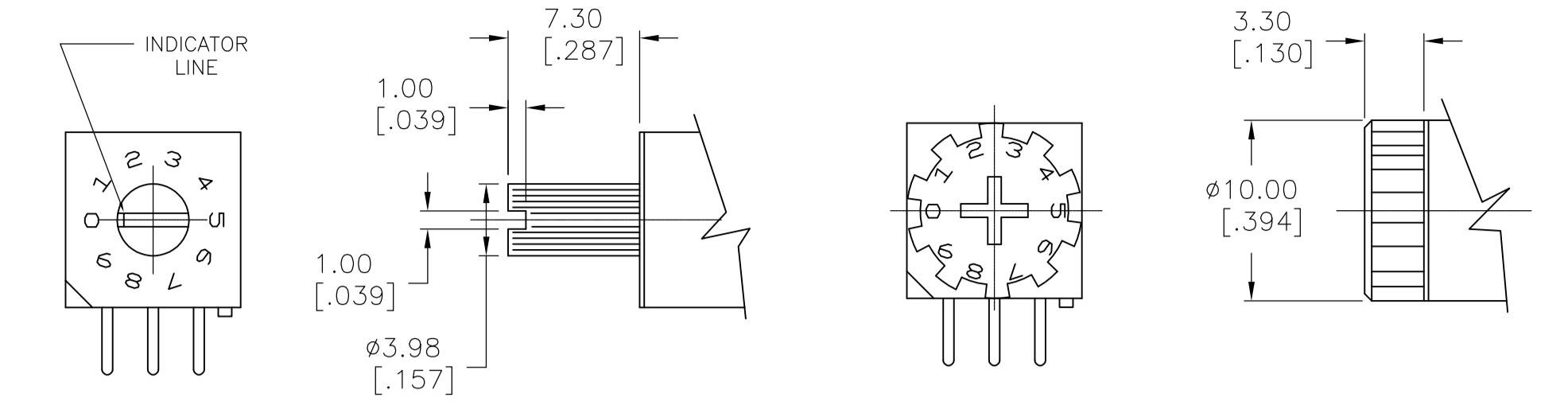
CUSTOMER DRAWING SCALE: 4:1 SHEET: 1 OF 2 REV: A4

**STE** TE Connectivity

DR\*\*\*RA SERIES ROTARY DIP SWITCH

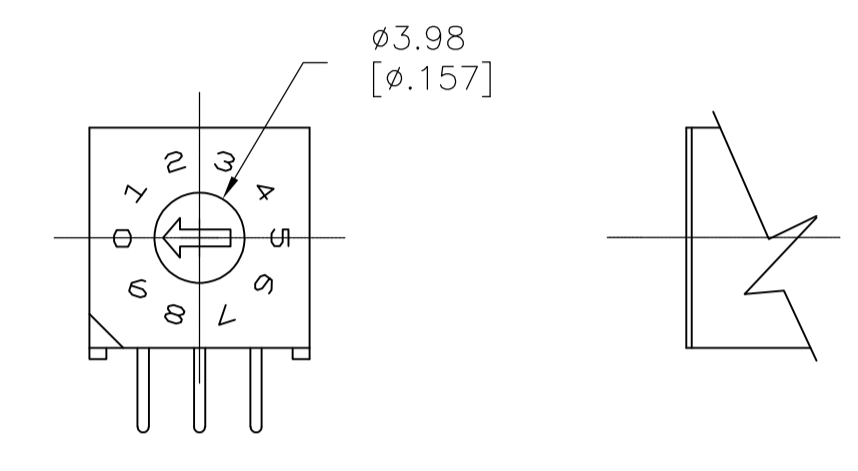


"S" STYLE



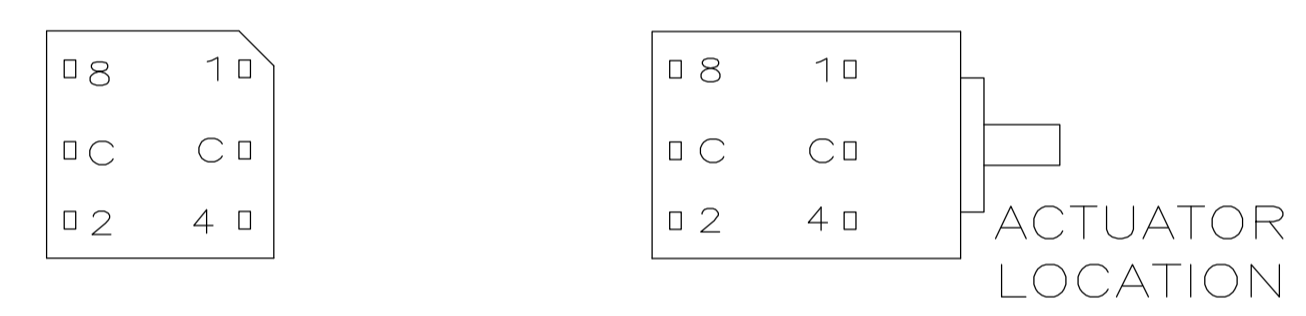
MINI SHAFT  
'M' STYLE

WHEEL  
'W' STYLE



'D' STYLE

TERMINAL IDENTIFICATION FOR DR SERIES ONLY  
(VIEWED FROM BOTTOM OF SWITCH)



ACTUATORS  
SCALE:3:1

10-POSITION, BCD SEE NOTE 3

POS	0	1	2	3	4	5	6	7	8	9
C	X	X	X	X	X	X	X	X	X	X
1		X		X		X		X		X
2			X	X			X	X		
4					X	X	X	X		
8									X	X

16-POSITION, HEXADECIMAL SEE NOTE 4

POS	0	1	2	3	4	5	6	7	8	9	A	B	C	D	E	F
C	X	X	X	X	X	X	X	X	X	X	X	X	X	X	X	X
1		X		X		X		X		X		X		X		X
2			X	X			X	X			X	X			X	X
4					X	X	X	X					X	X	X	X
8									X	X	X	X	X	X	X	X

10 POSITION, BCD COMPLEMENT SEE NOTE 5

POS	0	1	2	3	4	5	6	7	8	9
C̄	X	X	X	X	X	X	X	X	X	X
1̄	X		X		X		X		X	
2̄	X	X			X	X			X	X
4̄	X	X	X	X					X	X
8̄	X	X	X	X	X	X	X	X		

16-POSITION, HEXADECIMAL COMPLEMENT SEE NOTE 6

POS	0	1	2	3	4	5	6	7	8	9	A	B	C	D	E	F
C̄	X	X	X	X	X	X	X	X	X	X	X	X	X	X	X	X
1̄	X		X		X		X		X		X		X		X	
2̄	X	X			X	X			X	X			X	X		
4̄	X	X	X	X					X	X	X	X				
8̄	X	X	X	X	X	X	X	X								

THIS DRAWING IS A CONTROLLED DOCUMENT.

DIMENSIONS: mm [INCHES]	TOLERANCES UNLESS OTHERWISE SPECIFIED: 0. PLC ± - 1. PLC ± - 2. PLC ± 0.25 3. PLC ± - 4. PLC ± - ANGLES ± 1°	DIN E.S.VISWESWARA CHK M.S.SARVER APVD	17MAY2005 - -	TE Connectivity	
		NAME	DR***RA SERIES ROTARY DIP SWITCH		
MATERIAL		PRODUCT SPEC	APPLICATION SPEC	SIZE	RESTRICTED TO
FINISH		WEIGHT	A1 00779	DRAWING NO	1825008
CUSTOMER DRAWING		SCALE	4:1	SHEET	2 OF 2
		REV	A4		